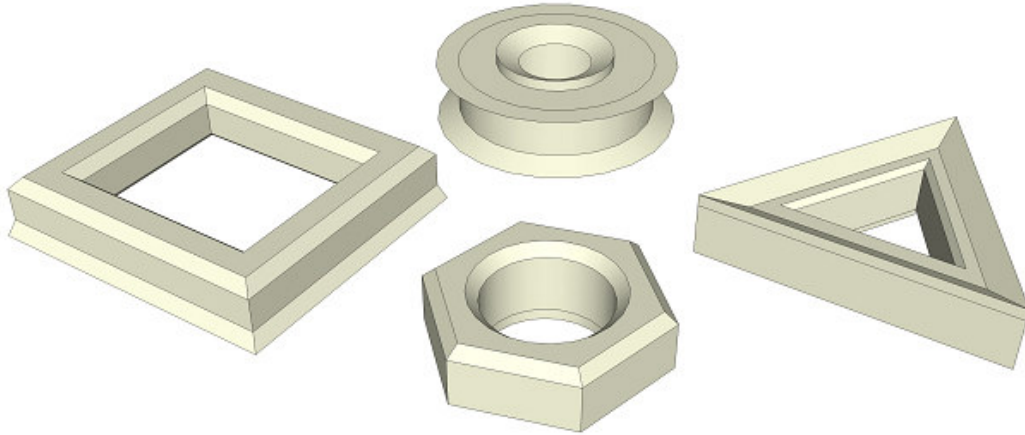


Chamfer_Along_Path.rb



Release Version: 1.0

Installation:

To install the script place file Chamfer_Along_Path.rb into your plugins directory. You will need to restart Sketchup the first time to activate the script. The tool will be added to your Tools Menu in SketchUp next time you start.

The tool only supports triangular chamfers at the moment. Later releases will also incorporate curved "Bevel" edges.

15 Step Tutorial:

Contents

Fig 1	Tutorial Step 1.....	2
Fig 2	Tutorial Step 2.....	2
Fig 3	Tutorial Step 3.....	3
Fig 4	Tutorial Step 4.....	3
Fig 5	Tutorial Step 5.....	4
Fig 6	Tutorial Step 6.....	4
Fig 7	Tutorial Step 7.....	5
Fig 8	Tutorial Step 8.....	5
Fig 9	Tutorial Step 9.....	6
Fig 10	Tutorial Step 10.....	6
Fig 11	Tutorial Step 11.....	7
Fig 12	Tutorial Step 12.....	7
Fig 13	Tutorial Step 13.....	8
Fig 14	Tutorial Step 14.....	8
Fig 15	Tutorial Step 15.....	9

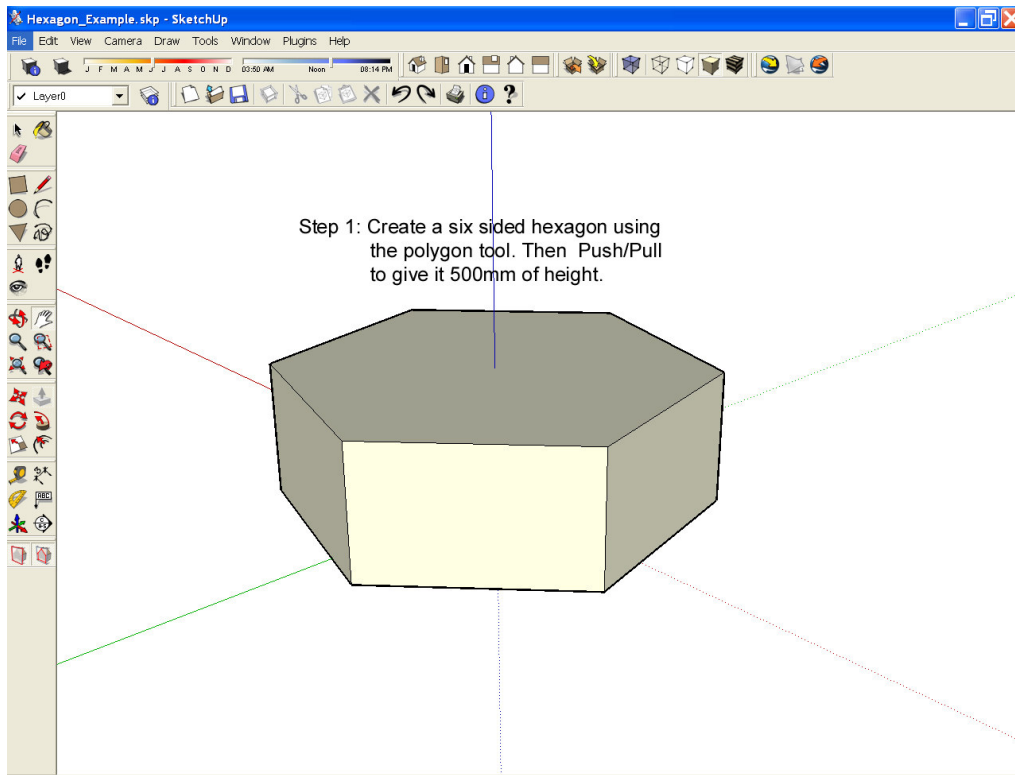


Fig 1.

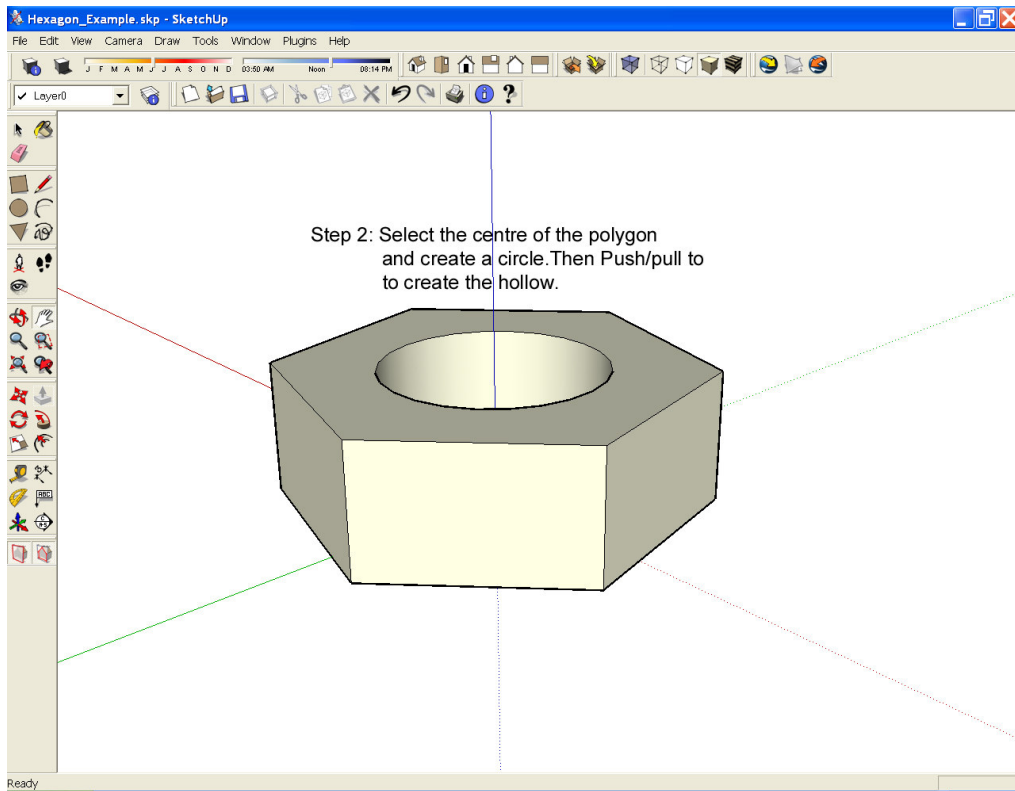


Fig 2.

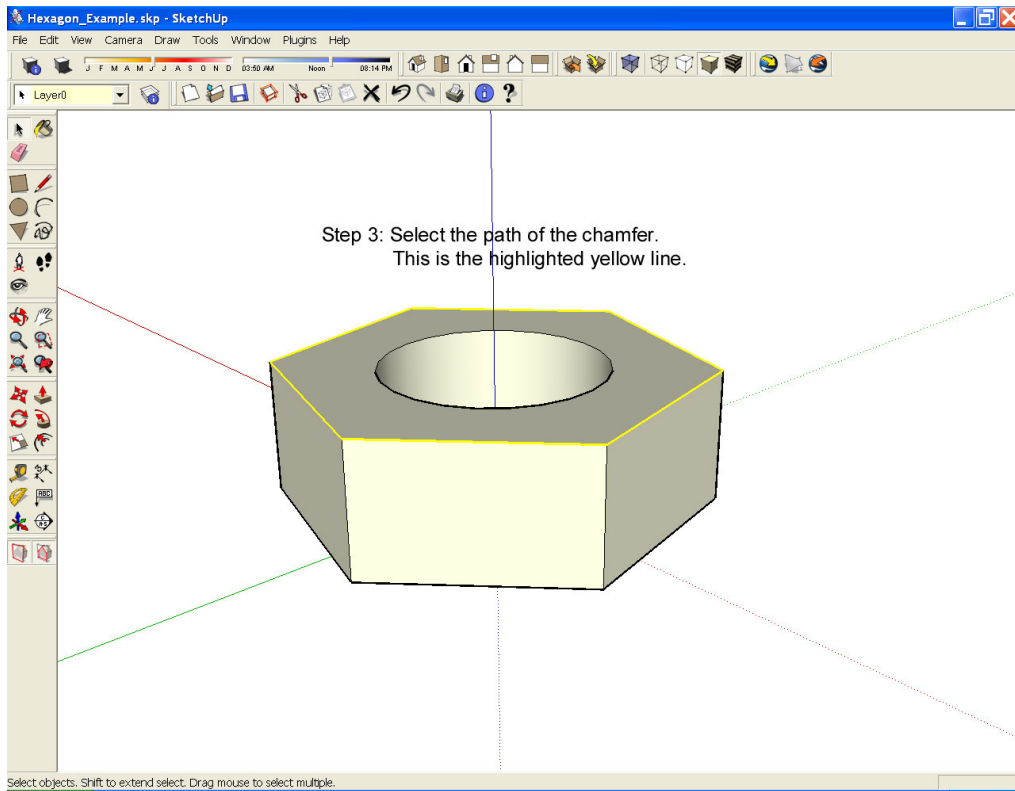


Fig 3.

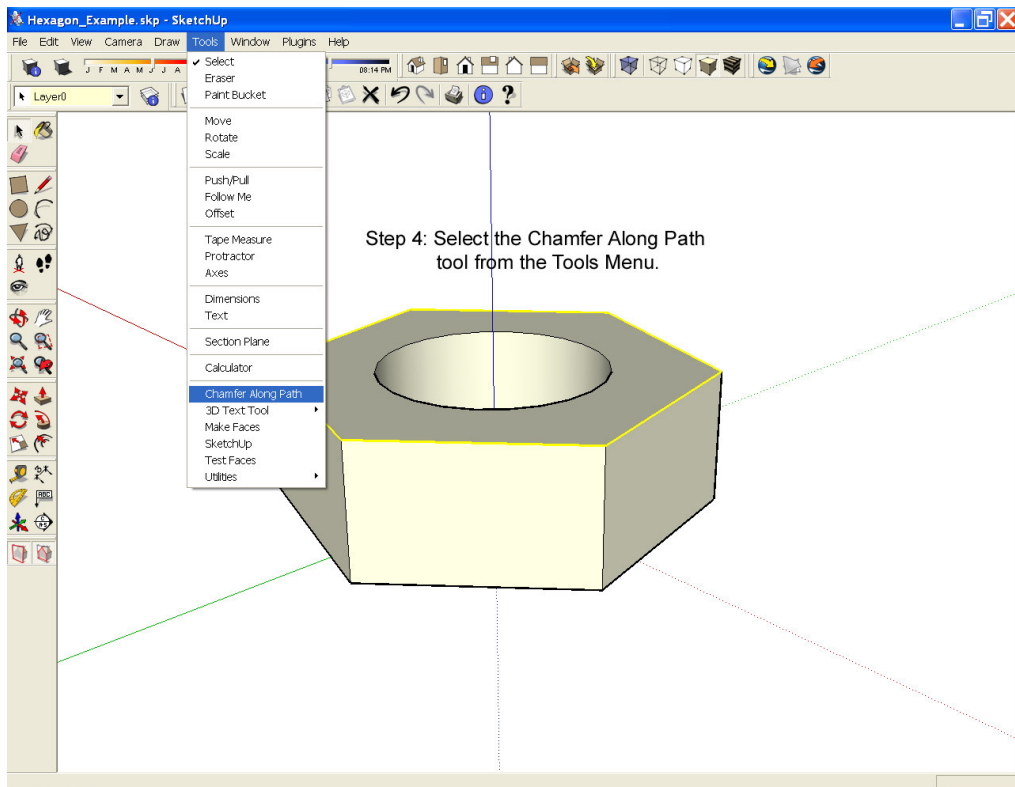


Fig 4.

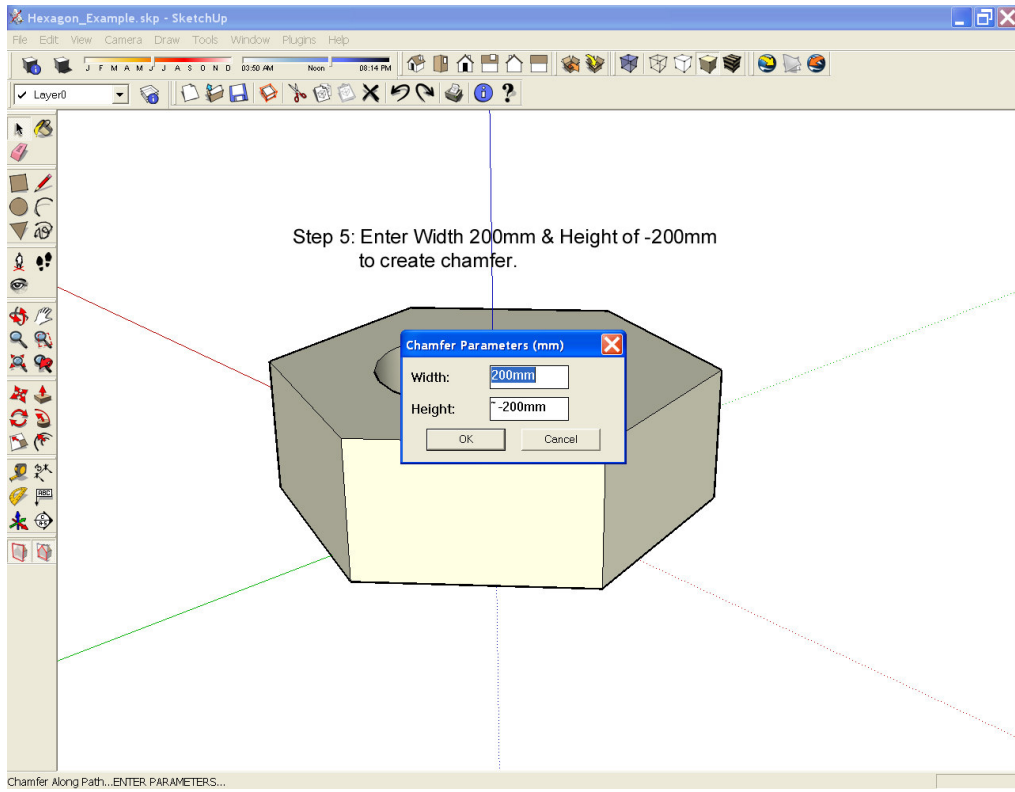


Fig 5.

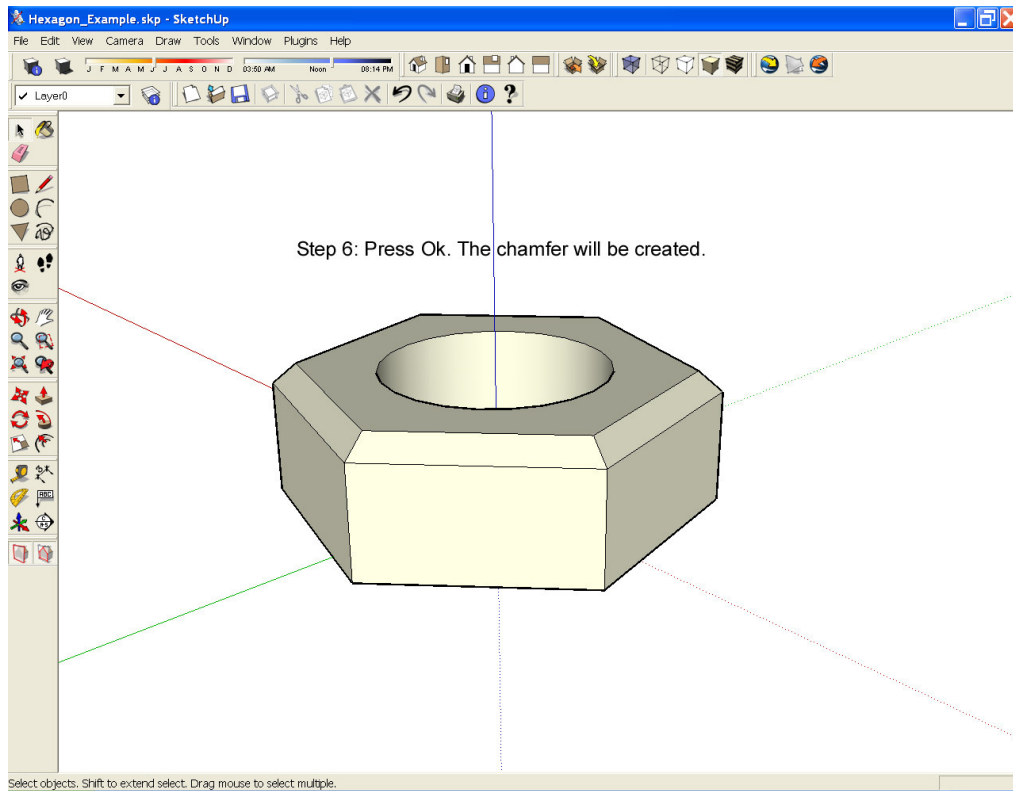


Fig 6.

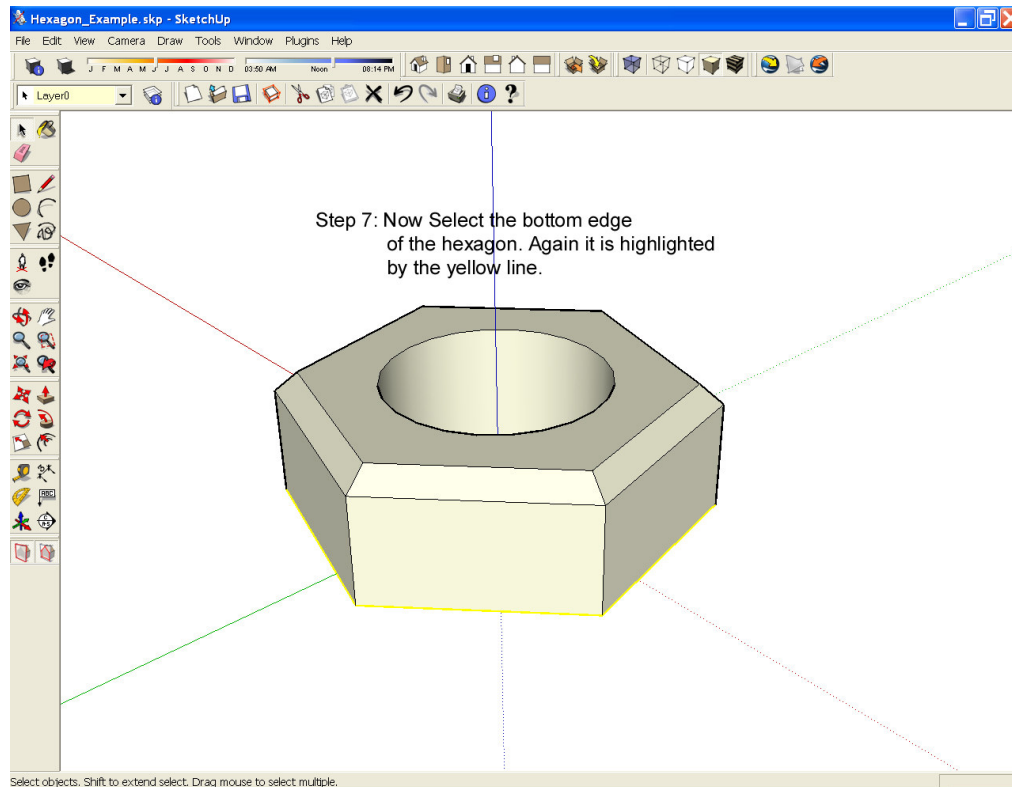


Fig 7.

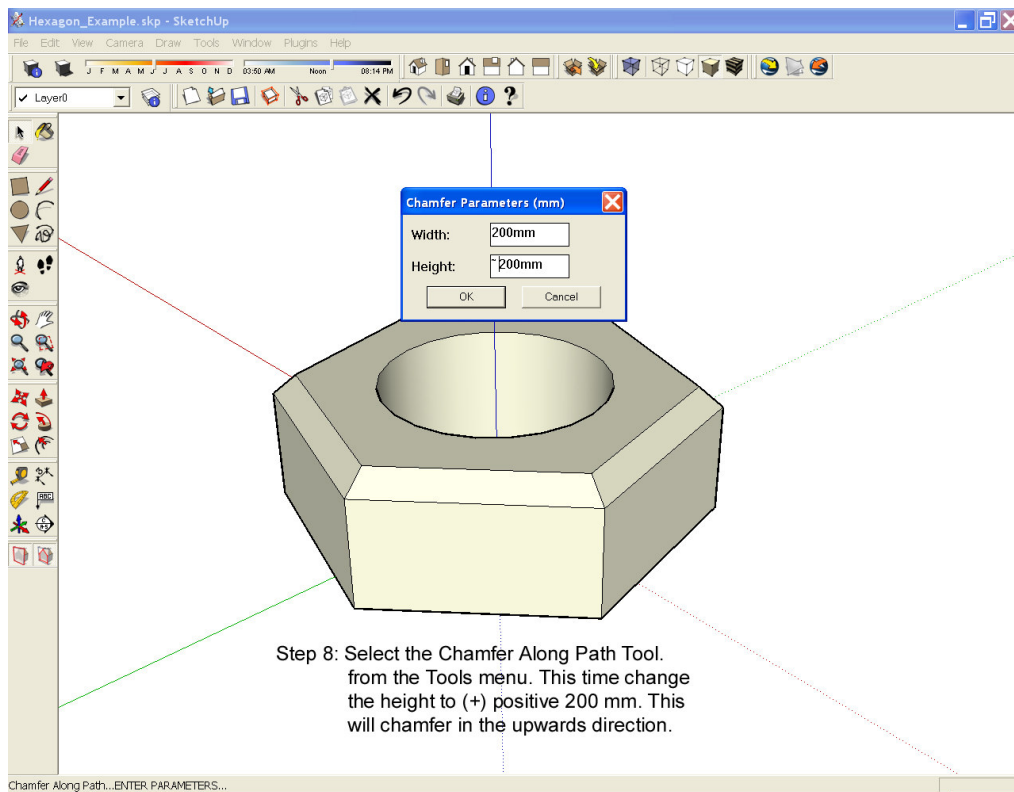


Fig 8.

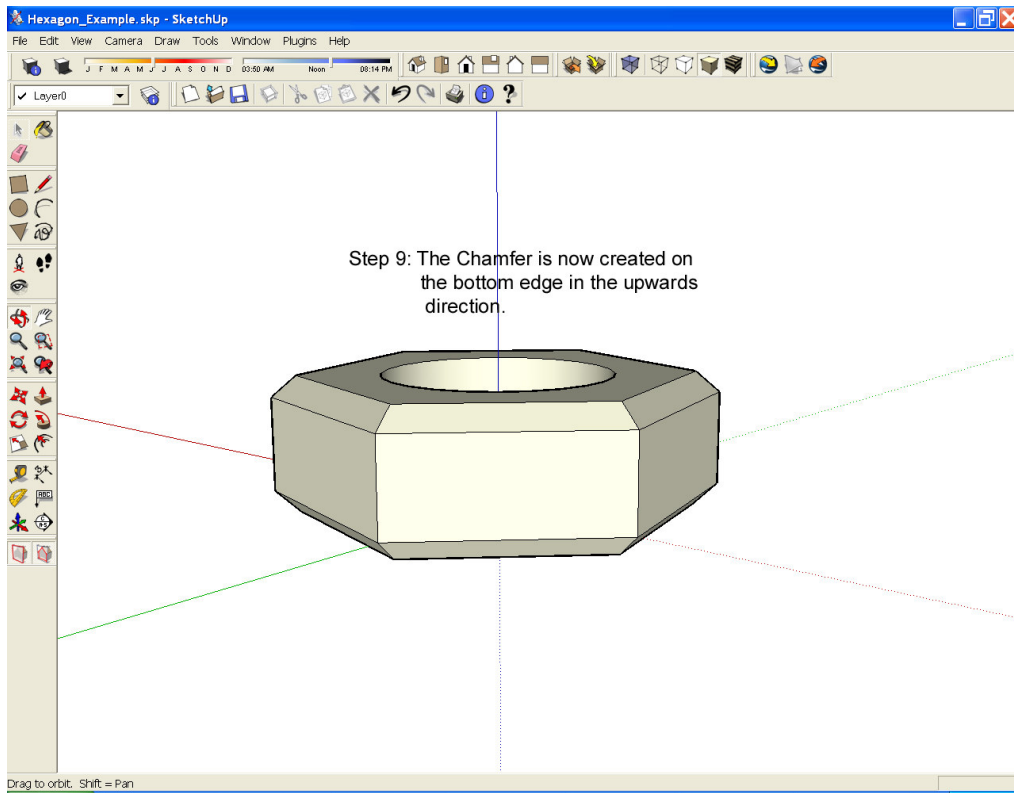


Fig 9.

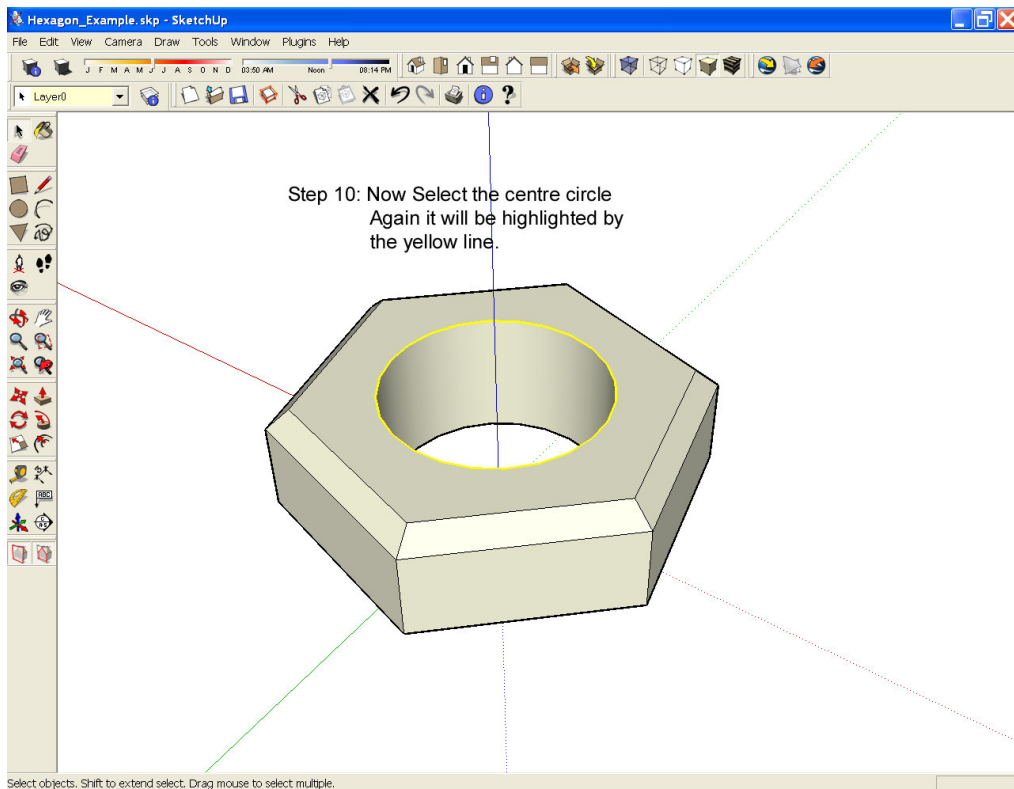


Fig 10.

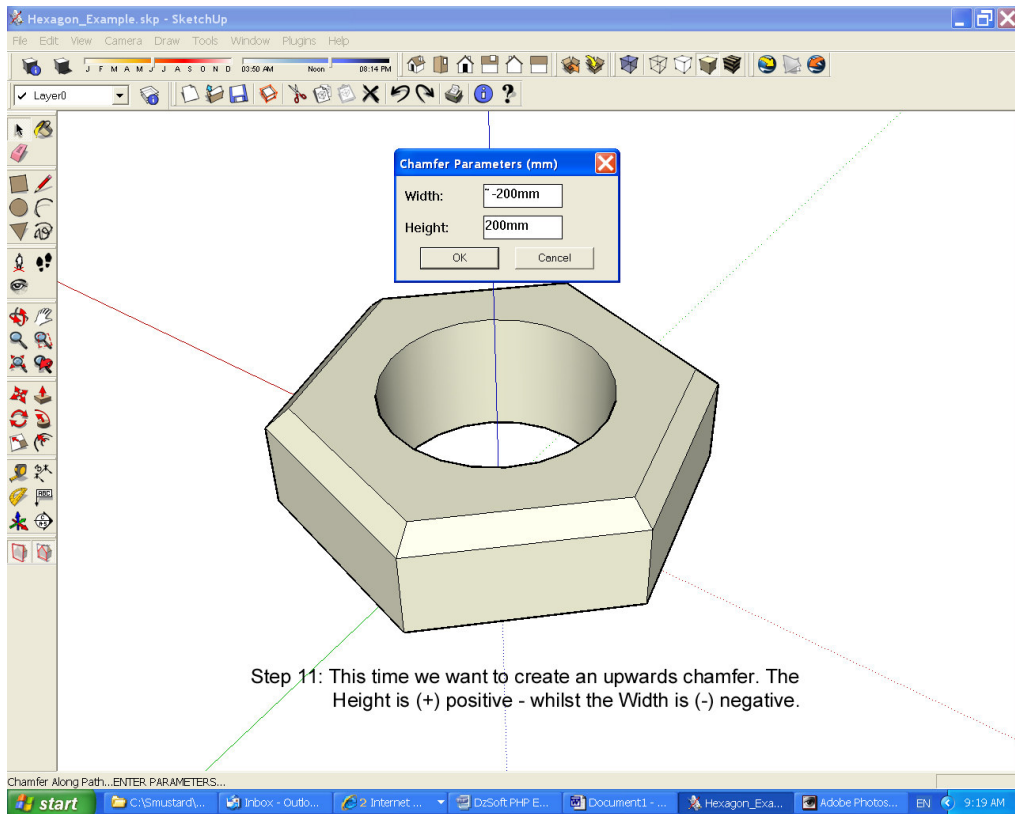


Fig 11.

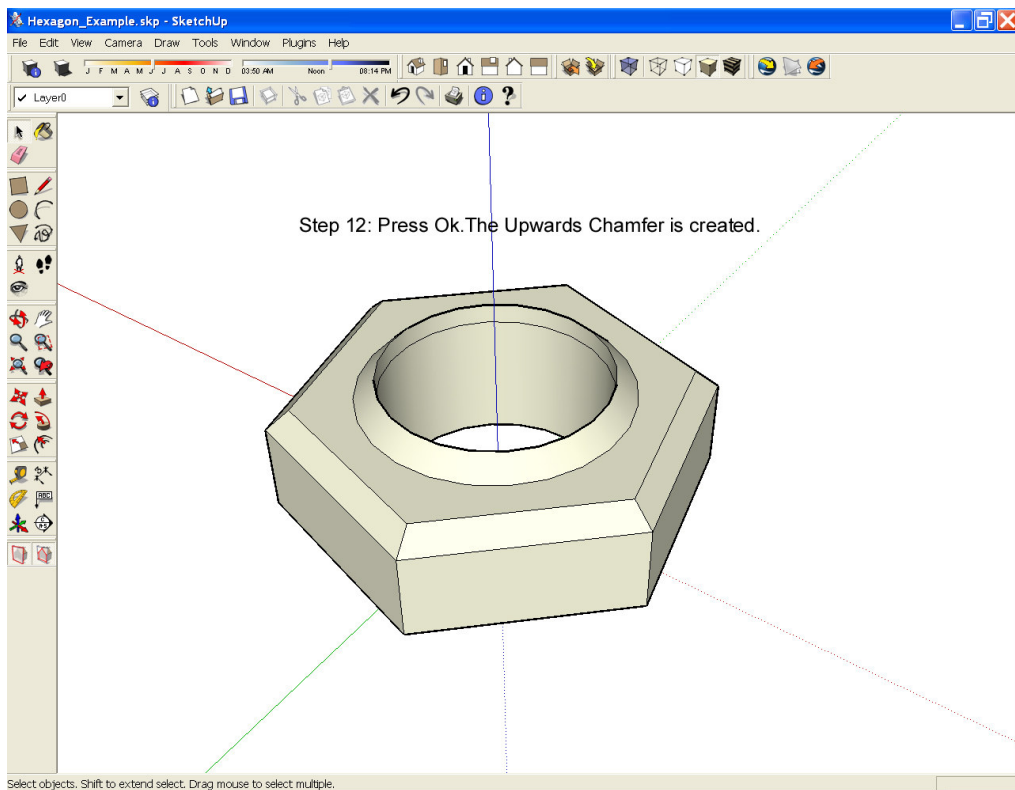


Fig 12.

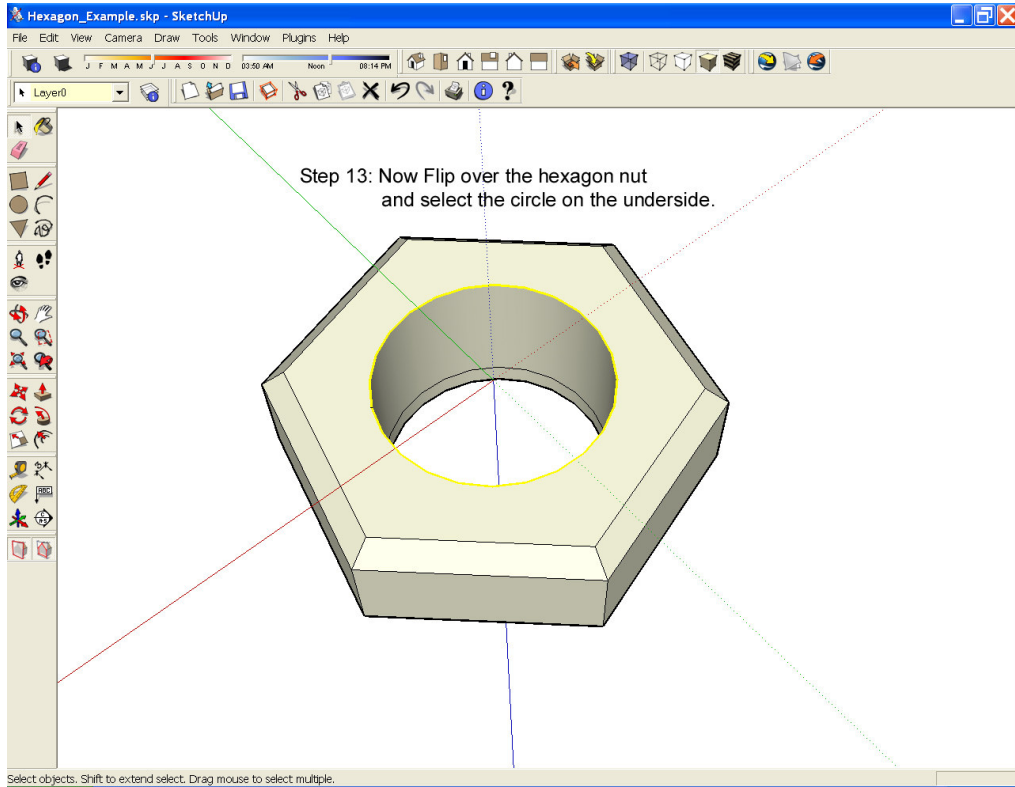


Fig 13.

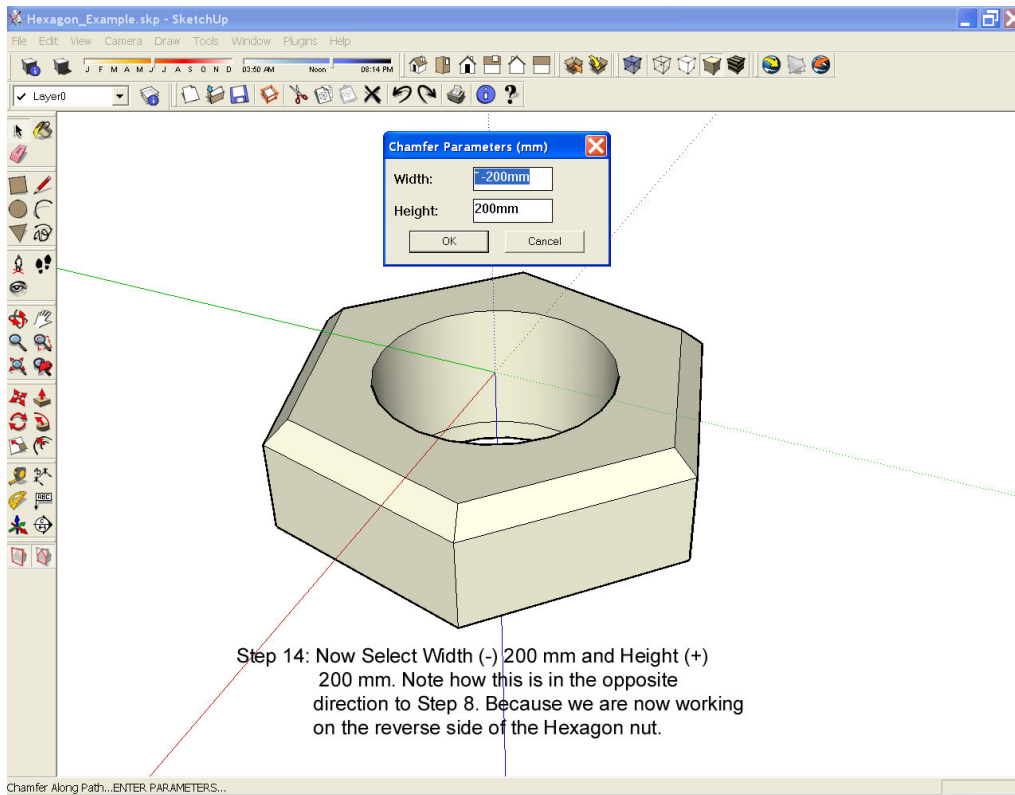


Fig 14.

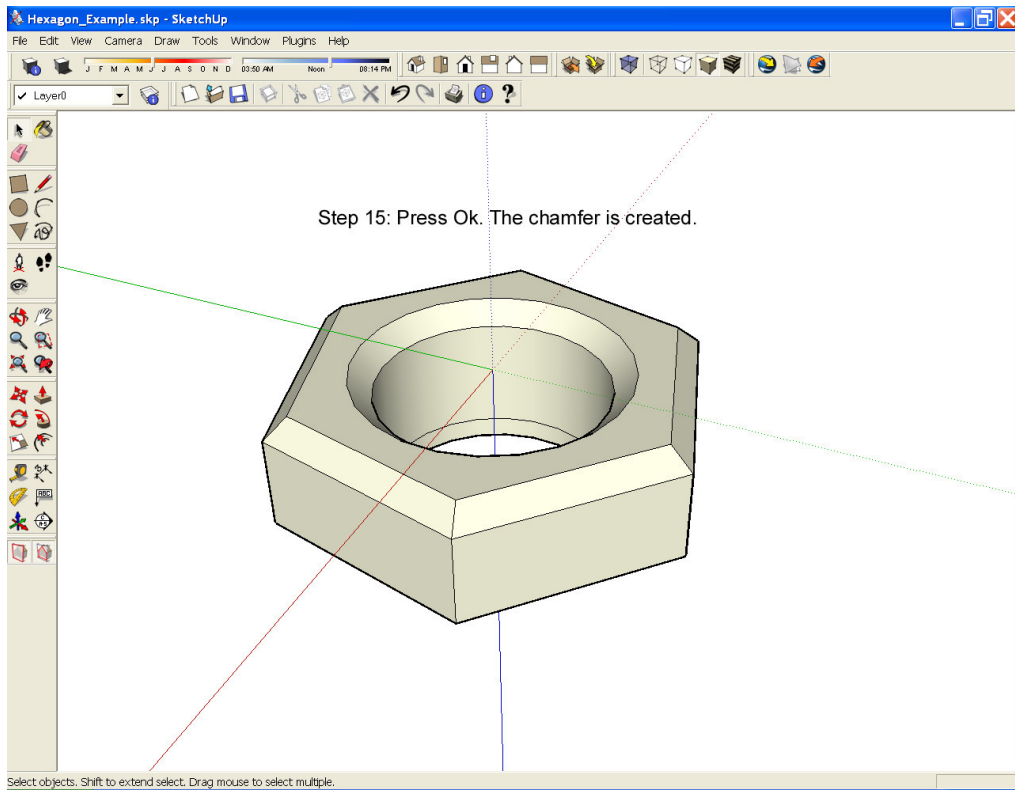


Fig 15.